

Hepworth Newsletter June 2024

“Only those who will risk going too far can possibly find out how far one can go.”
– T.S. Eliot

1. Ulstein Verft
 2. Fabrications
 3. Earl Warren
 4. Interisland Ferries
 5. Hepworth Rail
 6. USA First Electric Tug
 7. Monitor Marine Product Focus: Screw-In Lifting Point – 5182
 8. Landing Craft
 9. Norway
 10. Exhibitions
-

1. Ulstein Verft

Our distributor in Norway SERVI have won a big contract for 50 Straight Line Wipers with Servi Vision Control to Ulstein Verft AS for NB 317.



The vessel is specially designed to carry out the transport and laying of various types of subsea cables, including cable bundles as well as recovery and repair. It can perform effectively even in challenging weather conditions and boasts exceptional manoeuvrability and station-keeping capabilities.

2. Fabrications

This month our Fabrications team have been working on some new types of Fabricated cabinets & boxes for our customers in the Rail industry.



The Weldment Box shown above will be fitted Trackside and will house fancy electronic equipment, so precision assembly is required. Which is perfectly suited to our manufacturing team!

3. Earl Warren

On May 7, the U.S. Navy accepted the delivery of the 746'x106'x33.5' John Lewis-class fleet replenishment oiler, the USNS Earl Warren (T-AO 207).



Delivery follows the successful completion of Integrated Sea Trials to test the readiness and capability of the ship and to validate requirements.

Onboard are 21 Type D Straight Line Wipers with the 1000 series controller, supplied by our distributor in the USA Inmar Systems.

4. Interisland Ferries

Interisland Ferries and Wynn Wipers can be seen handling Extreme Conditions in New Zealand.



Cook Strait, between New Zealand's North and South Islands, is recognised as one of the most demanding in the world, being the confluence of the Pacific Ocean and Tasman Sea, and regularly subjected to strong gale southerly conditions.



Pictured is the largest ferry in the fleet serving between Wellington and Picton, in the South Island and leaving the Wellington Heads in a gale southerly.

The Type D Mk5 Wynn Wipers installed and maintained by Marinair Technology, are regularly tested in such conditions, maintaining clear visibility in the best tradition of Wynn.

5. Hepworth Rail

At Hepworth Rail, we are pleased to acknowledge recent achievements. Our endeavours have led to the successful acquisition of prestigious global projects and garnered commendation for our meticulous efforts.



HEPWORTH RAIL

Our stringent in-house testing ensures the highest standards of quality, underscoring our unwavering commitment to excellence and client satisfaction.

6. USA First Electric Tug

Crowley christened its new vessel, eWolf, the first all-electric ship assist tugboat in the United States.

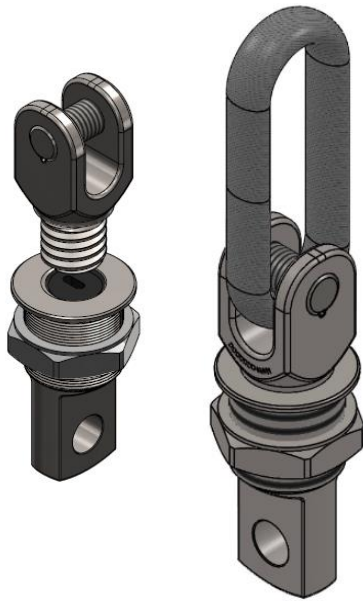


The first-of-its-kind vessel is equipped with an integrated electrical propulsion package provided by ABB, a 6.2 MWh Orca battery energy storage

system from Corvus Energy, two 2,100 kW RAMME motors, and two electrically driven Schottel Rudder Propellers type SRP 430 LE azimuthing thrusters, featuring propeller diameters of 2.5 meters.

Onboard are Type C Wynn Straight Line wipers, supplied by our distributor in the USA Inmar Systems.

7. Monitor Marine Product Focus: Screw-In Lifting Point – 5182



- ❖ Titanium lifting point.
- ❖ New SWL 6.4 T (Revised test procedure).
- ❖ Robust Screw-In thread connection.
- ❖ Ideal for Tender Boat integration.
- ❖ Complete with lifting loop made from Dyneema® material.

8. Landing Craft

The U.S. Navy reports it has taken delivery of the latest Ship to Shore Connector (SSC), Landing Craft, Air Cushion (LCAC) 109 from Textron Systems.



The May 29 delivery of LCAC 109 comes after completion of acceptance trials conducted by the Navy's Board of Inspection and Survey, which tested the readiness and capability of the craft to effectively meet its requirements.

Onboard are 8 Type D Wynn Straight Line wipers provided by Inmar Systems in the USA.

9. Norway

It has been another good month for our distributors in Norway SERVI.

They have received 2 replacement orders replacing Bohamet systems with 33 pcs total of Wynn straight-line wipers (one offshore vessel and one ferry).

One of the orders is replacing old Wynn Straight Line wipers 25 pcs (offshore vessel).

Another order is replacing 6 Hepworth Pantograph wipers (old offshore vessel).

There are also 2 newbuilds for Ulstein, with 28 Straight Line Type D wipers each.

All the ships have also been equipped with Servi Vision Control.

11. Exhibitions

Rolling Stock Network will be held in the **Derby Arena 04.07.2024**



SMM 2024 will be held at the **Hamburg Messe 03.09.2024 - 06.09.2024**




3-6 sept 2024
leading international
maritime trade fair
smm-hamburg.com

Innotrans 2024 will be held at **Messe Berlin 24.09.2024 - 27.09.2024**



Contact Us:
Hepworth Group
4 Merse Road, North Moons Moat.
Redditch, Worcestershire, B98 9HL,
United Kingdom
Phone: 01527 61243
Email: enquiries@b-hepworth.com

Marine www.b-hepworth.co.uk
Rail www.hepworthrail.co.uk
Monitor Marine www.b-hepworth.co.uk/monitor-marine
Fabrication www.hepworthfabrications.co.uk



Follow us on LinkedIn for the latest news and exclusive content:

<https://www.linkedin.com/company/b-hepworth-&-company-limited/posts/?feedView=all&viewAsMember=true>