

# Hepworth Newsletter October 2023

---

*“Quality is never an accident. It is always the result of intelligent effort”.*

*– John Ruskin*

1. Fabrications
  2. Bougainville Amphibious Assault Ship
  3. Hepworth Rail
  4. Charter Motor Yacht Mahoenui
  5. Low Profile Pull-Up Cleats
  6. USCGC Argus
  7. Mets Trade Exhibition
  8. Workboat Show New Orleans
- 

## 1. Fabrications

The Fabrications team have been manufacturing a new miniature fluid tank for one of our customers. The first batch (shown below), needed to be watertight and pressure tested to the customers agreed specification.



It is another job well done for the Production & Quality teams, and the parts will now become a regular component for us.

## 2. Bougainville Amphibious Assault Ship

American shipbuilding firm Huntington Ingalls Industries (HII) has launched the US Navy's third America-class amphibious assault ship named "Bougainville."



The vessel was launched into the Pascagoula River in southeastern Mississippi last week, following a series of preparation and dry dock trials. Onboard are 14 Type D Wynn Straight Line wipers and 14 controllers supplied by Inmar systems in the USA.

## 3. Hepworth Rail

Our Rail Team have won **Alstom Ba-Wu** and **Alstom Irish Rail** projects in October. First delivery has also been made for Stadler VDV, Alstom MRTS and Alstom RRTS projects.

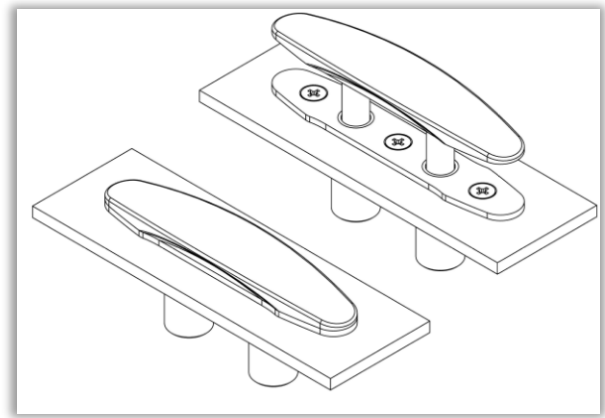


Image below shows a 320mm Pull-Up Cleat.

#### 4. Charter Motor Yacht Mahoenui

Our distributor in New Zealand Marinair have secured an order for 5 sets of comprising large P680-950TJ Pantograph and B160-39 Blade sets for 40mtr Charter Motor Yacht Mahoenui.



The yacht was built in 2015 by Princess Yachts Ltd , Plymouth UK and originally as MY Anka. The original Hepworth 80NM Pantograph motors are still in excellent condition.

#### 5. Low Profile Pull-Up Cleats

Four size options are available in high quality mirror polished marine grade stainless steel, 120, 180, 240 and 320mm lengths complete the range.

Naval Architects world wide incorporate our Cleats into their Superyacht design.

Utilising the following key features:

- ❖ Low profile, requiring little under deck space.
- ❖ Watertight with no drainage requirement.
- ❖ Easy installation, operated with one hand.
- ❖ Custom options of face logo or insignia.



Ready for packaging and despatch to another valued customer.

#### 6. USCGC Argus

Eastern Shipbuilding christened and launched the long-awaited first hull in the Offshore Patrol Cutter (OPC) series, one of the U.S. Coast Guard's top acquisition priorities.



After overcoming many challenges, including facility damage from a Category 5 hurricane, the yard has reached a major milestone toward delivering the first-in-class USCGC Argus. Inmar systems supplied 17 sets of wipers for the bridge and 3 sets of wipers for the flight control room, with a special variation of controllers and a C350 Clear View Screen.

## 7. Mets Trade Exhibition

Hepworth Group will be visiting the METSTRADE exhibition taking place from 15 - 17 November 2023 in RAI Amsterdam.

**(Visit us on stand 10.112)**



## 8. Workboat Show New Orleans

Our agent in USA Imar Systems, will be exhibiting in the New Orleans Workboat Show from 29 November – 1 December.

**(Booth #1637)**



### Contact Us:

Hepworth Group  
4 Merse Road, North Moons Moat.  
Redditch, Worcestershire, B98 9HL,  
United Kingdom  
Phone: 01527 61243  
Email: [enquiries@b-hepworth.com](mailto:enquiries@b-hepworth.com)

**Marine** [www.b-hepworth.co.uk](http://www.b-hepworth.co.uk)  
**Rail** [www.hepworthrail.co.uk](http://www.hepworthrail.co.uk)  
**Monitor Marine** [www.b-hepworth.co.uk/monitor-marine](http://www.b-hepworth.co.uk/monitor-marine)  
**Fabrication** [www.hepworthfabrications.co.uk](http://www.hepworthfabrications.co.uk)



Follow us on LinkedIn for the latest news and exclusive content:

<https://www.linkedin.com/company/b-hepworth-&-company-limited/posts/?feedView=all&viewAsMember=true>