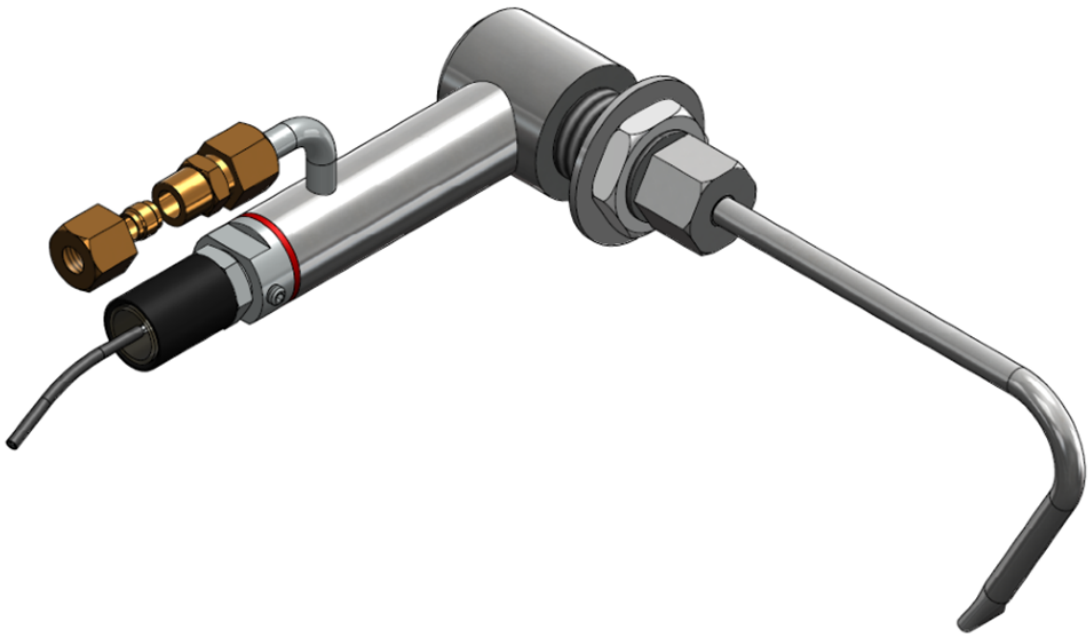


New



B. HEPWORTH
AND COMPANY LIMITED

Heated Spray Jet



Stainless steel heated spray jet.

- In winter time as frost protection.
- In summertime heated water dissolves salt better.
- Easy to install.
- Available in 24, 110 and 230 volt.

Water System Pressure And Flow Rates			
Pressure		Flow rate	
Bar	Psi	Litres/min Gal- lons/min	Gallons/ min
1	15	0.95	0.2
1.5	22	1.2	0.25
2	29	1.4	0.3
3	44	1.75	0.4

