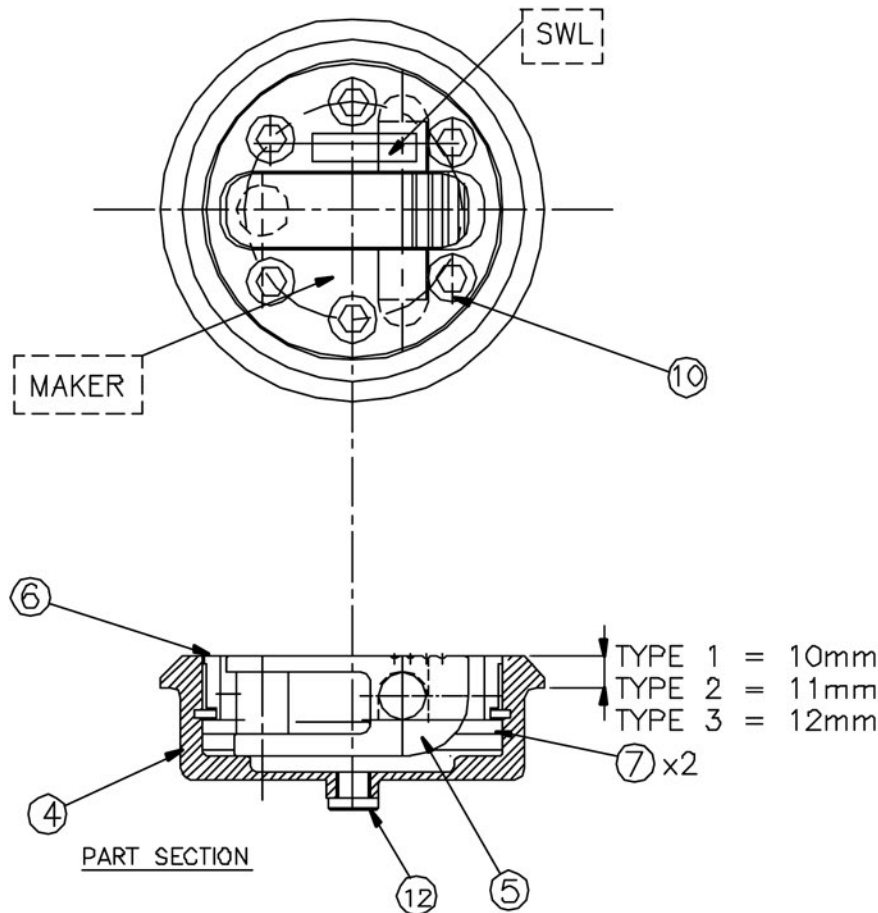


PDF INSTALLATION DRAWING

Description Load Aligning Helicopter Tie Down

Model T45R Weld in

Part No. 2079SY



HELICOPTER TIE DOWN PLATE			
ITEM	DWG NO.	QTY.	MATERIAL
4 - DECK CUP	21835	1	STAINLESS STEEL BS970 GRADE 316
5 - SHACKLE	21836	1	17-4pH PASSIVATE
6 - COVER	21837	1	S. STEEL GRADE 316
7 - RETAINER PLATE	21838	2	S. STEEL GRADE 316
9 - BEARING RING	21840	1	GLASS FILLED PTFE
10 - M12 CAP SCREW	-	6	S. STEEL GRADE A4
11 - SPIROLOX RING	-	1	STAINLESS STEEL
12 - 1/4 BSP PLUG	-	1	ZINC PLATED

NOTE:
SHACKLE WILL ACCEPT STANDARD MOD LASHING END FITTING
APPROX. WEIGHT = 4.6kg

