



**HEPWORTH MARINE**  
INTERNATIONAL

# TYPE C350 Clear View Screen

FOR PERFECT CONTINUOUS VISIBILITY

- High reliability - no maintenance, sealed for life bearings, thermal overload fitted, IP33 motor protection
- High rotation speeds, powerful de-icing heater
- Smooth running motor and direct drive, EMC silent, high quality bearings
- High quality seals, gas and leak tested
- Stainless steel and marine grade aluminium parts, toughened glass, unique glass decoupling to avoid breakages
- Low cost installation, ISO compliant tolerances
- Ideal for all types of commercial vessel and for specialised shore-based applications

ISO 9001  
BUREAU VERITAS  
Certification



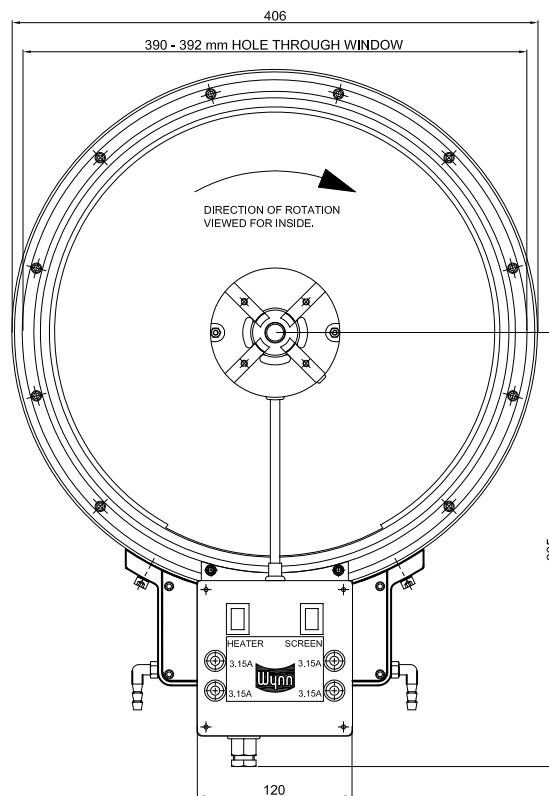
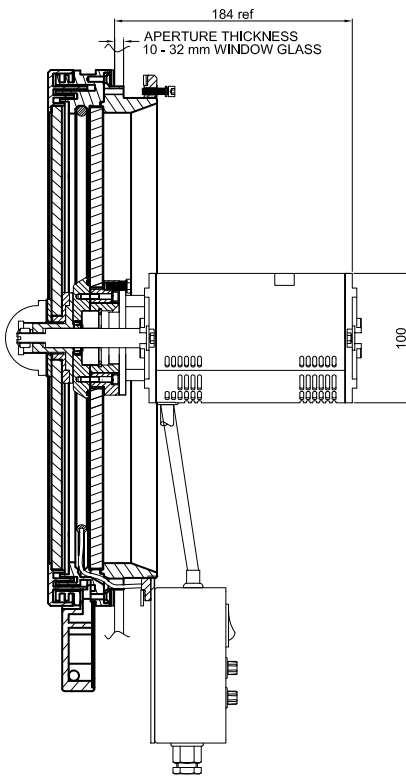
... WIPER SYSTEMS FOR ALL SIZES OF VESSEL





## SPECIFICATIONS

<b>ISO Specification</b>	Fully compliant with ISO 3904-C-350-AL-vf specification
<b>Glass disc</b>	350mm diameter, toughened safety glass to ISO 3254 8mm thick
<b>Main case</b>	Marine grade aluminium alloys and stainless steel - corrosion resistant
<b>Finish</b>	Non reflective matt black powder coat paint
<b>Driving motor</b>	AC induction motors available in 115, 230v AC. Single phase supplies - to IP33
<b>High spin speed</b>	Operating speed 1600rpm - the C350 gives an unobscured vision at sea
<b>Motor power</b>	120 watt motor
<b>Heater power</b>	250 watt heater for de-icing purposes
<b>Leak resistant</b>	High rotating and effective labyrinth seals - ensure no internal water leakage
<b>Compass safe distance</b>	0.2 metres away from steering compass
<b>Local controller</b>	Control switching for motor and heater local and remote options to screen
<b>Quiet operation</b>	Direct drive means no noise from brushes, gearbox or drive belts
<b>Mounting</b>	In 10 to 32mm thick windows - to be specified at time of ordering. Cut-out hole size 390 to 392mm. The minimum size panel into which the screen can be mounted is 510 x 550mm
<b>Weight &amp; dimensions</b>	Net: 15Kg Gross: 18Kg Dimensions : 520 x 480 x 360mm



\*Measurements are for illustrative purposes only



## Type C350 Clear View Screen

FOR PERFECT  
CONTINUOUS VISIBILITY



**B Hepworth & Co Ltd**

4 Merse Road,  
North Moons Moat, Redditch  
Worcestershire B98 9HL UK

**T** +44 (0)1527 61243

**F** +44 (0)1527 66836

**E** marine@b-hepworth.com