

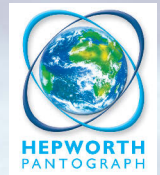


HEPWORTH MARINE
INTERNATIONAL

80Nm Extra Heavy Duty Window Wiper

LOW VOLTAGE SYSTEMS IDEAL FOR AVERAGE TO HIGH SPEED VESSELS

- Pantograph and pendulum
- Silent running
- Arms with blades up to 59ins. (1500mm) available for average speed vessels
- Arms with blades up to 39ins. (1000mm) available for high speed vessels
- Fixed arc or variable arc models
- 12 and 24 volt DC
- Two speeds
- Self parking facility
- Insulated earth return
- Operated by various controls including a rotary switch, rocker switch or a multi-speed / function control system



... WIPER SYSTEMS FOR ALL SIZES OF VESSEL





SPECIFICATIONS

Standard Details 2 Speed; Self Parking; Insulated Earth Return; 12v and 24v

Angles of Arc - Fixed:

Pantograph Units 25° to 90° (in 5° increments only)

Pendulum Units 25° to 115° (in 5° increments only)

Angles of Arc - Variable:

Pantograph Units 40° to 90° (in 5° increments only)

Pendulum Units 40° to 90° (in 5° increments only)

Spindle Centres Between Drive Liner & Idler = 60mm
Pantograph Units only

Drive Liner M26 - Brass Liner/16mm SS Spindle
Pantograph & Pendulum Units

Idler Liner M26 - Brass Liner/16mm SS Spindle
Pantograph Units only

Liner Overall Length Bulkhead Thickness + 55mm

Bracket C - Compact Bracket

Unit Weight Allowing for the maximum arm and blade lengths; 8Kgs (17.6 lbs)

WIPER ARMS & BLADES

■ **Pantograph Arms**

P84 Heavy Duty
Lengths 24" to 60" (610mm to 1525mm) nom
Drive Head 16mm
Blade Clip 14mm & 20mm

■ **Pendulum Arms**

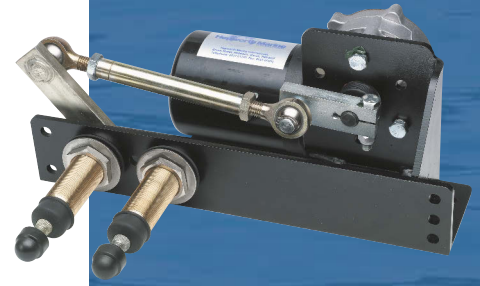
F80 Heavy Duty
Lengths 24" to 60" (610mm to 1525mm) nom
Drive Head 16mm
Blade Clip 14mm

F81 Heavy Duty
Lengths 24" to 60" (610mm to 1525mm) nom
Drive Head 16mm
Blade Clip 20mm

■ **Blades**

B160 Curved Blade, Stainless Steel
Lengths 12" to 28" (310mm to 710mm) nom
For use with arm types:
Pendulum F80
Pantograph P84

B160 Curved Blade, Stainless Steel
Lengths 32" (810mm), 36" (915mm), 39" (1000mm)
For use with arm types:
Pendulum F81
Pantograph P84



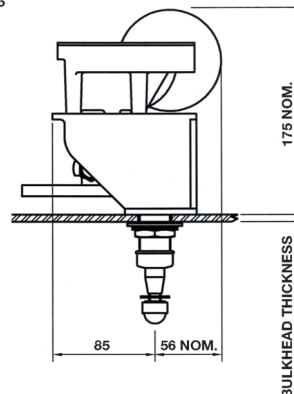
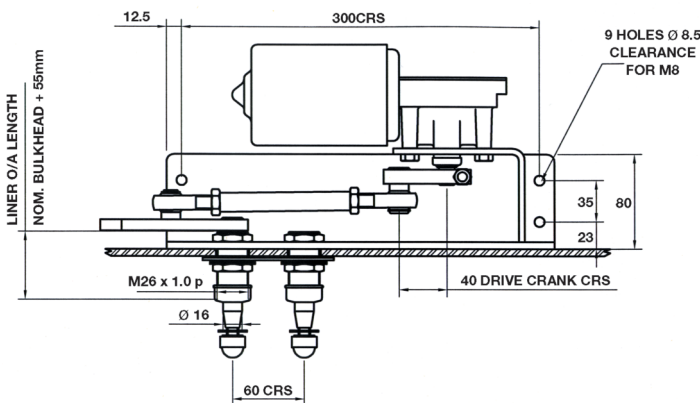
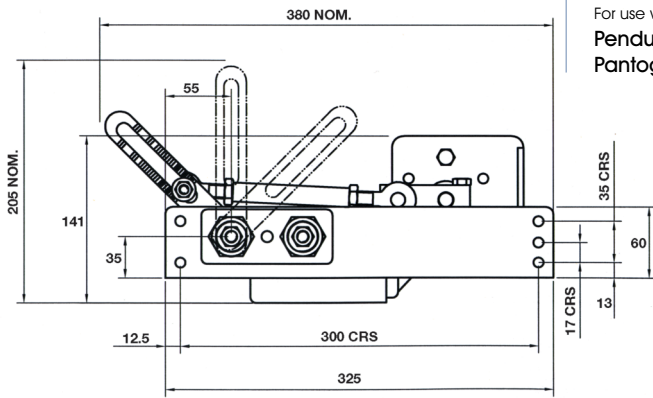
80Nm

Extra Heavy Duty Window Wiper

LOW VOLTAGE SYSTEMS
IDEAL FOR AVERAGE
TO HIGH SPEED VESSELS

Can be used in combination with the following Controllers:

- Carling Switch
- Cole Hersee Switch
- Wynn 8224 Bus Control
- Pine Controller
- Toggle Switch



*Measurements are for illustrative purposes only



B Hepworth & Co Ltd

4 Merse Road,
North Moons Moat, Redditch
Worcestershire B98 9HL UK

T +44 (0)1527 61243

F +44 (0)1527 66836

E marine@b-hepworth.com