

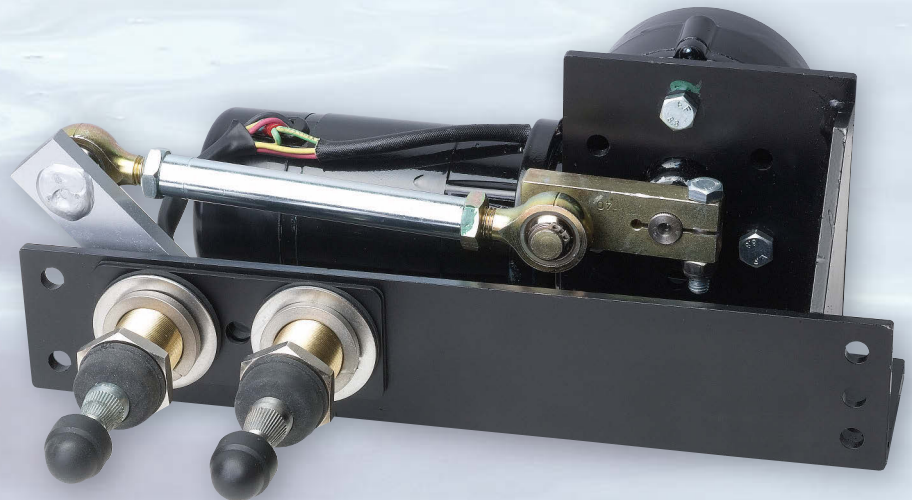
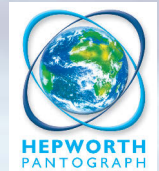


**HEPWORTH MARINE**  
INTERNATIONAL

# 70Nm Extra Heavy Duty Window Wiper

HIGH VOLTAGE SYSTEMS IDEAL FOR AVERAGE TO HIGH SPEED VESSELS

- Pantograph and pendulum
- Arms with blades up to 59ins. (1500mm) available for average speed vessels
- Arms with blades up to 39ins. (1000mm) available for high speed vessels
- Fixed arc or variable arc models
- Ranges from 115 volt and 230 volt AC or DC
- Two speeds
- Self parking facility
- Insulated earth return
- Operated by a multi-speed/function control system



... WIPER SYSTEMS FOR ALL SIZES OF VESSEL





**SPECIFICATIONS**

<b>Standard Details</b>	2 Speed; Self Parking; Insulated Earth Return; 110v DC, 220v DC. Motors can be rectified from AC to DC
<b>Angles of Arc - Fixed:</b>	
Pantograph Units	25° to 90° (in 5° increments only)
Pendulum Units	25° to 115° (in 5° increments only)
<b>Angles of Arc - Variable:</b>	
Pantograph Units	40° to 90° (in 5° increments only)
Pendulum Units	40° to 90° (in 5° increments only)
<b>Spindle Centres</b>	Between Drive Liner & Idler = 60mm Pantograph Units only
<b>Drive Liner</b>	M26 - Brass Liner/16mm SS Spindle Pantograph & Pendulum Units
<b>Idler Liner</b>	M26 - Brass Liner/16mm SS Spindle Pantograph Units only
<b>Liner Overall Length</b>	Bulkhead Thickness + 55mm Liners over 125mm are available at extra cost
<b>Bracket</b>	C - Compact Bracket
<b>Unit Weight</b>	Allowing for the maximum arm and blade lengths; 8Kgs (17.6 lbs)

**WIPER ARMS & BLADES**

■ **Pantograph Arms**

**P84** Heavy Duty  
**Lengths** 24" to 60" (610mm to 1525mm) nom  
**Drive Head** 16mm  
**Blade Clip** 14mm & 20mm

■ **Pendulum Arms**

**F80** Heavy Duty  
**Lengths** 24" to 60" (610mm to 1525mm) nom  
**Drive Head** 16mm  
**Blade Clip** 14mm

**F81** Heavy Duty  
**Lengths** 24" to 60" (610mm to 1525mm) nom  
**Drive Head** 12mm  
**Blade Clip** 14mm

■ **Blades**

**B160** Curved Blade, Stainless Steel  
**Lengths** 12" to 28" (310mm to 710mm) nom

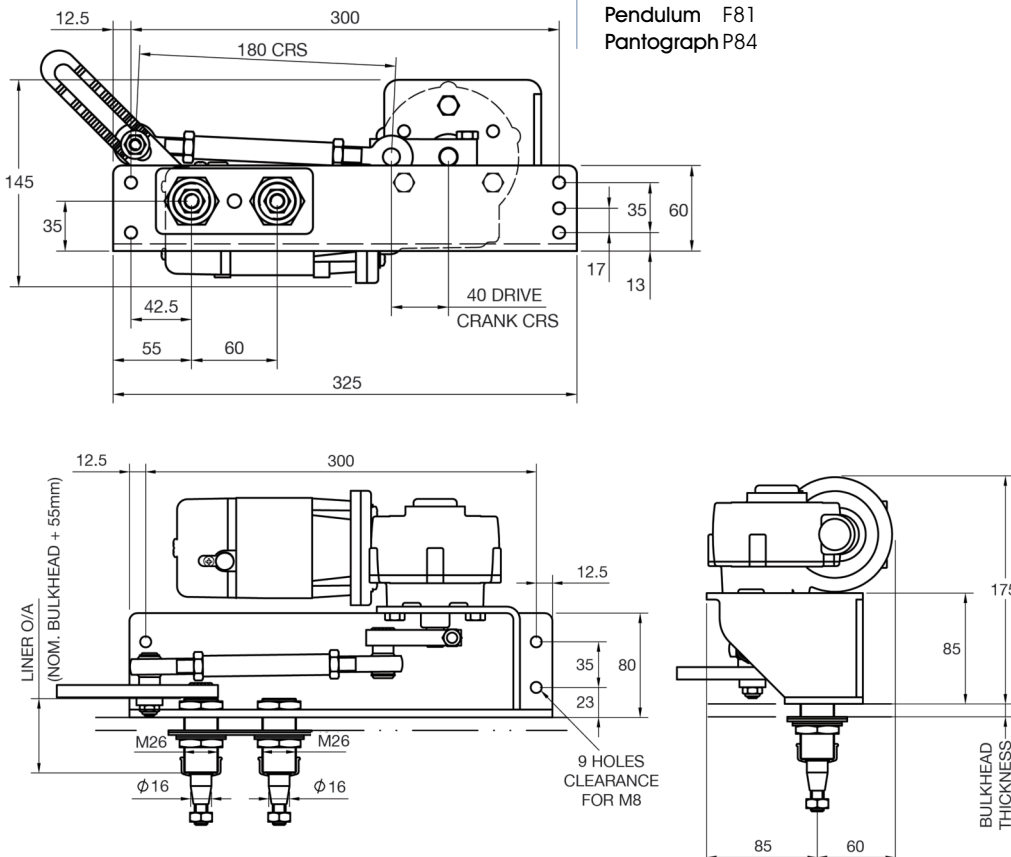
For use with arm types:

**Pendulum** F80  
**Pantograph** P84

**B160** Curved Blade, Stainless Steel  
**Lengths** 32" (810mm), 36" (915mm), 39" (1000mm)

For use with arm types:

**Pendulum** F81  
**Pantograph** P84



\*Measurements are for illustrative purposes only

**70Nm**  
**Extra Heavy Duty**  
**Window Wiper**

HIGH VOLTAGE SYSTEMS  
 IDEAL FOR AVERAGE  
 TO HIGH SPEED VESSELS

Can be used in  
 combination with the  
 following Controllers:

- Control Systems**
- 8271 - 8272 (DC)
  - 6300 (AC)
  - 2000 (AC) 3 phase
  - 1024 (DC)



**B Hepworth & Co Ltd**

4 Merse Road,  
 North Moons Moat, Redditch  
 Worcestershire B98 9HL UK

**T** +44 (0)1527 61243  
**F** +44 (0)1527 66836  
**E** marine@b-hepworth.com