



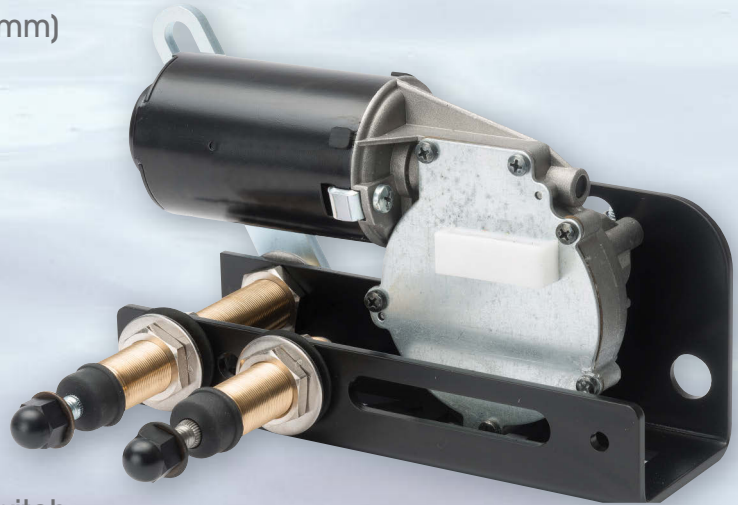
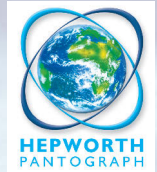
HEPWORTH MARINE
INTERNATIONAL

50Nm Heavy Duty Window Wiper

IDEAL FOR AVERAGE TO HIGH SPEED VESSELS

- Pantograph and pendulum
- Low maintenance
- Silent running
- A compact and robust unit
- Arms with blades up to 39ins. (1000mm) available for average speed vessels
- Arms with blades up to 24ins. (610mm) available for high speed vessels
- Fixed arc or variable arc models
- 12 and 24 volt DC
- Two speeds
- Self parking facility
- Insulated earth return
- Operated by various controls including a rotary switch, toggle switch, rocker switch or a multi-speed / function control system

ISO 9001
BUREAU VERITAS
Certification



... WIPER SYSTEMS FOR ALL SIZES OF VESSEL





SPECIFICATIONS

Standard Details	2 Speed; Self Parking; Insulated Earth Return; 12v, 24v, 110v
Angles of Arc - Fixed:	
Pantograph Units	25° to 90° (in 5° increments only)
Pendulum Units	25° to 115° (in 5° increments only)
Angles of Arc - Variable:	
Pantograph Units	35°, 40°, 45°, 50°, 55°, 60°, 70°, 80°, 90°
Pendulum Units	35°, 40°, 45°, 50°, 55°, 60°, 70°, 80°, 90°, 100°, 110°, 120°
Spindle Centres	Between Drive Liner & Idler = 50mm Pantograph Units only
Drive Liner	M20 - Brass Liner/12mm SS Spindle Pantograph & Pendulum Units
Idler Liner	M20 - Brass Liner/12mm SS Spindle Pantograph Units only
Liner Overall Length	Bulkhead Thickness + 120mm Liners over 125mm are available at extra cost
Bracket	C - Compact Bracket
Unit Weight	Allowing for the maximum arm and blade lengths; 4Kgs (8.8 lbs)

WIPER ARMS & BLADES

■ Pantograph Arms

P615 Medium Duty
Lengths 12" to 39" (310mm to 990mm) nom
Drive Head 12mm
Idler Head 12mm
Blade Clip 14mm

P620 Medium Duty
Lengths 12" to 39" (310mm to 990mm) nom
Drive Head 12mm
Blade Clip 14mm

■ Pendulum Arms

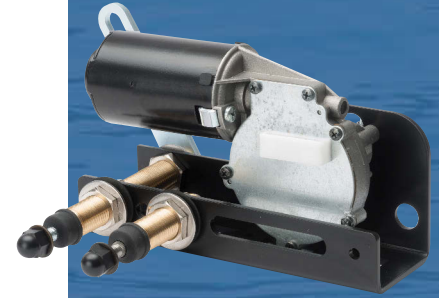
F63 Medium Duty
Lengths 12" to 39" (310mm to 990mm) nom
Drive Head 12mm
Blade Clip 14mm

F73 Medium Duty
Lengths 12" to 39" (310mm to 990mm) nom
Drive Head 12mm
Blade Clip 20mm

■ Blades

B160 Curved Blade, Stainless Steel
Lengths 12" to 28" (310mm to 710mm) nom
 For use with arm types:
Pendulum F63
Pantograph P615

B160 Curved Blade, Stainless Steel
Lengths 32" (810mm) nom
 For use with arm types:
Pendulum F73
Pantograph P620



50Nm
Heavy Duty
Window Wiper

IDEAL FOR AVERAGE
 TO HIGH SPEED VESSELS

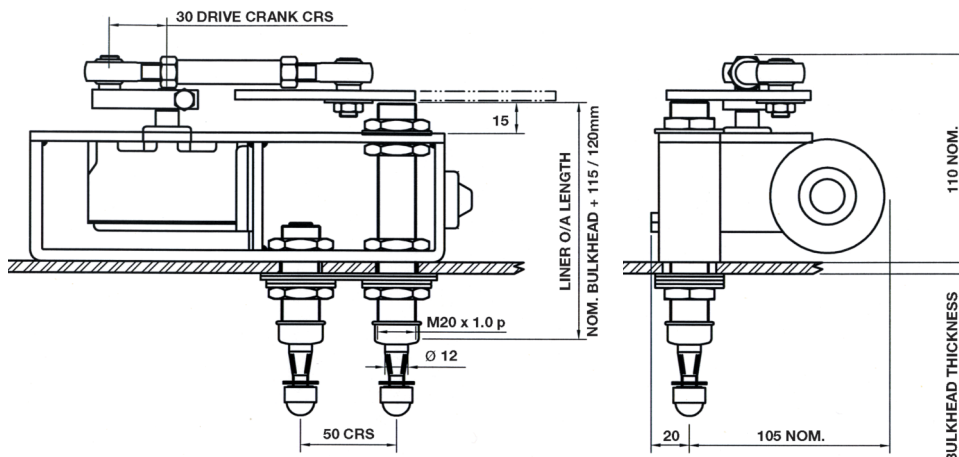
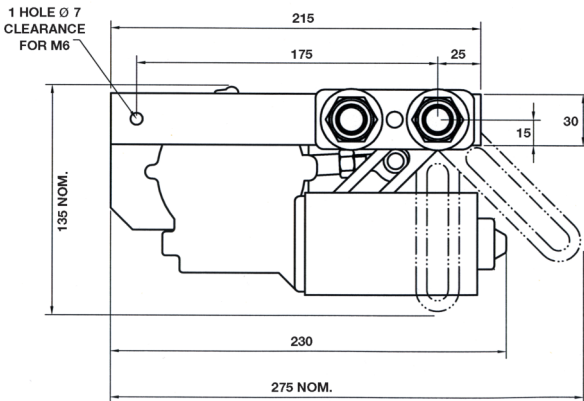
Can be used in
 combination with the
 following Controllers:

For 12/24v motors:

- Carling Switch
- Cole Hersee Switch
- Wynn 8224 Bus Control
- Pine Controller
- Toggle Switch

For 110 vdc motor:

- 110 vdc controller
- Toggle switch
- Wynn 8272



*Measurements are for illustrative purposes only



B Hepworth & Co Ltd

4 Merse Road,
 North Moons Moat, Redditch
 Worcestershire B98 9HL UK

T +44 (0)1527 61243
F +44 (0)1527 66836
E marine@b-hepworth.com