

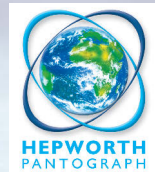


HEPWORTH MARINE
INTERNATIONAL

20Nm Medium Duty Window Wiper

FOR LOW SPEED VESSELS WITH SMALL WINDOWS

- A compact unit
- Pantograph and pendulum
- Arms with blades up to 24 ins. (610mm) are available
- Fixed arc or variable arc models
- 12 and 24 volt DC
- Two speeds
- Self parking facility
- Insulated earth return
- Operated by various controls including a rotary switch, toggle switch, rocker switch or a multi-speed / function control system



...WIPER SYSTEMS FOR ALL SIZES OF VESSEL





SPECIFICATIONS

Standard Details	2 Speed; Self Parking; Insulated Earth Return; 12v and 24v
Angles of Arc	Variable - at stated angles
Pantograph Units	40°, 50°, 60°, 70°, 80°, 90°
Pendulum Units	40°, 50°, 60°, 70°, 80°, 90°
Spindle Centres	Between Drive Liner & Idler = 50mm
Drive Liner	M20 - Brass Liner/12mm SS Spindle
Liner Overall Length	Bulkhead Thickness + 65mm
Idler Liner	M20 - Brass Liner/12mm SS Spindle
Bracket	No notation used for Bracket
Unit Weight	Allowing for the maximum arm and blade lengths; 3.5Kgs (7.7 lbs)

WIPER ARMS & BLADES

■ Pantograph Arms

P613	Medium Duty
Lengths	12" to 24" (310mm to 610mm) nom
Drive Head	12mm
Blade Clip	14mm

■ Pendulum Arms

F63	Medium Duty
Lengths	12" to 28" (310mm to 710mm) nom
Drive Head	12mm
Blade Clip	14mm

■ Blades

B160	Curved Blade, Stainless Steel
Lengths	12" to 24" (310mm to 610mm) nom

For use with arm types:

Pendulum	F63
Pantograph	P614



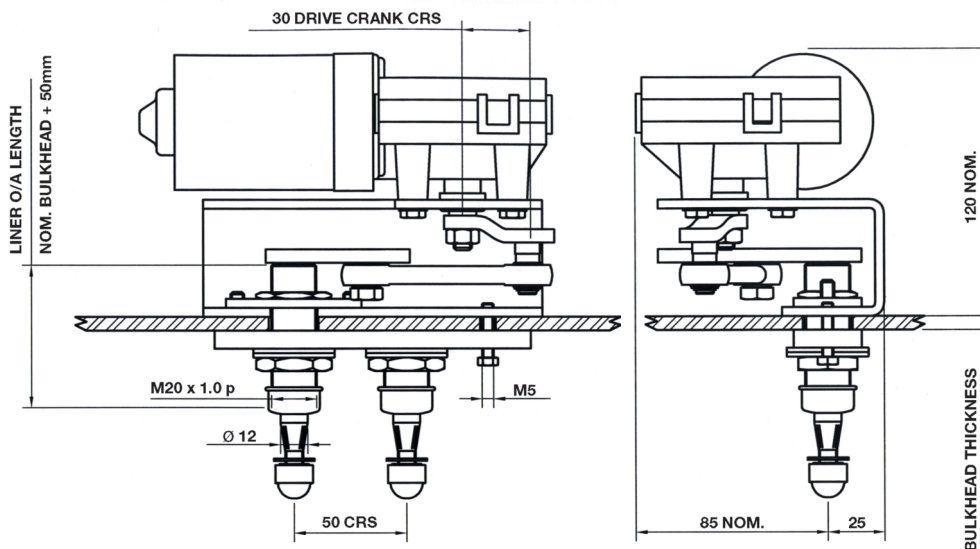
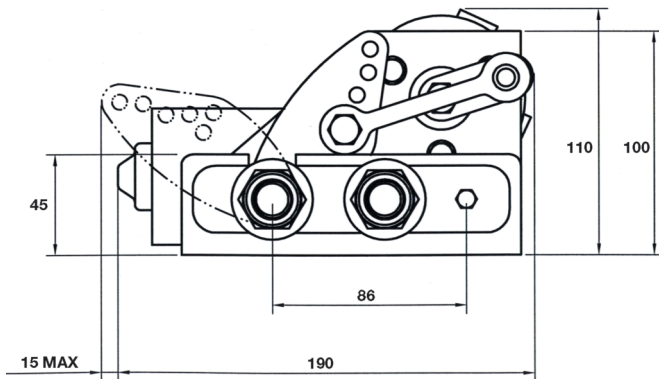
20Nm

Medium Duty Window Wiper

FOR LOW SPEED VESSELS WITH SMALL WINDOWS

Can be used in combination with the following Controllers:

- Carling Switch
- Cole Hersee Switch
- Wynn 8224 Bus Control
- Pine Controller
- Toggle Switch



*Measurements are for illustrative purposes only



B Hepworth & Co Ltd

4 Merse Road,
North Moons Moat, Redditch
Worcestershire B98 9HL UK

T +44 (0)1527 61243

F +44 (0)1527 66836

E marine@b-hepworth.com