

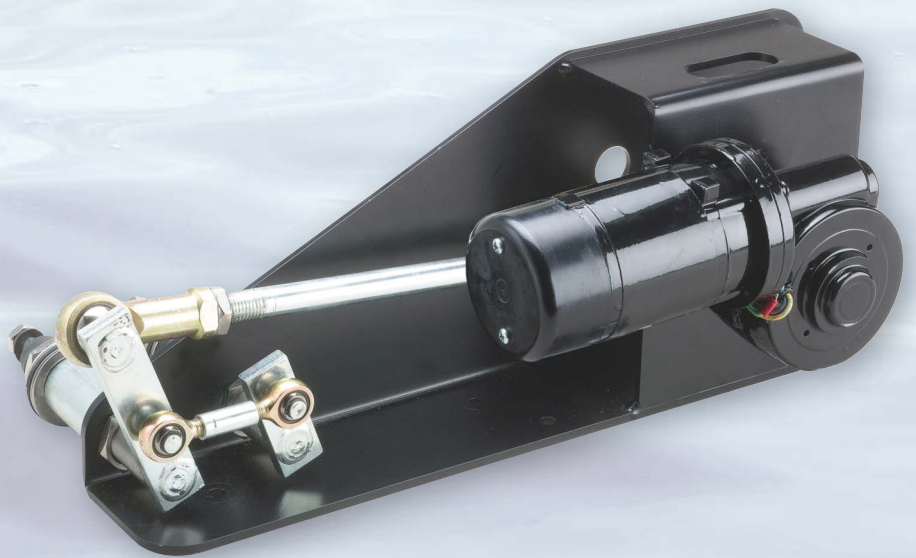
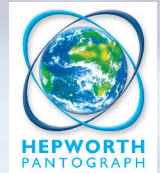


**HEPWORTH MARINE**  
INTERNATIONAL

# 100Nm Extra Heavy Duty Window Wiper

HIGH VOLTAGE SYSTEMS IDEAL FOR AVERAGE TO HIGH SPEED VESSELS

- Pantograph and pendulum
- Arms with blades up to 78ins. (2000mm) available for average speed vessels
- Arms with blades up to 59ins. (1500mm) available for high speed vessels
- Fixed arc or variable arc models
- Ranges from 115 volt and 230 volt AC or DC
- Two speeds
- Self parking facility
- Insulated earth return
- Operated by a multi-speed / function control system



... WIPER SYSTEMS FOR ALL SIZES OF VESSEL





**SPECIFICATIONS**

<b>Standard Details</b>	2 Speed; Self Parking; Insulated Earth Return; 110v DC, 110v - 220v AC
<b>Angles of Arc - Fixed:</b>	
<b>Pantograph Units</b>	45° to 90° (in 5° increments only)
<b>Pendulum Units</b>	45° to 115° (in 5° increments only)
<b>Spindle Centres</b>	Between Drive Liner & Idler = 60mm Pantograph Units only
<b>Drive Liner</b>	M26 - Brass Liner/16mm SS Spindle Pantograph & Pendulum Units
<b>Idler Liner</b>	M26 - Brass Liner/16mm SS Spindle Pantograph Units only
<b>Liner Overall Length</b>	Bulkhead Thickness + 55mm
<b>Bracket</b>	L - Left Hand Bracket; R - Right Hand Bracket;
<b>Unit Weight</b>	Allowing for the maximum arm and blade lengths; 9.2Kgs (20.0 lbs)

**WIPER ARMS & BLADES**

■ **Pantograph Arms**

<b>P84</b>	Heavy Duty
<b>Lengths</b>	24" to 98" (610mm to 2500mm) nom
<b>Drive Head</b>	16mm
<b>Blade Clip</b>	14mm & 20mm

■ **Pendulum Arms**

<b>F80</b>	Heavy Duty
<b>Lengths</b>	24" to 72" (610mm to 1830mm) nom
<b>Drive Head</b>	16mm
<b>Blade Clip</b>	14mm

<b>F81</b>	Heavy Duty
<b>Lengths</b>	24" to 72" (610mm to 1830mm) nom
<b>Drive Head</b>	16mm
<b>Blade Clip</b>	20mm

■ **Blades**

<b>B160</b>	Curved Blade, Stainless Steel
<b>Lengths</b>	12" to 28" (310mm to 710mm) nom

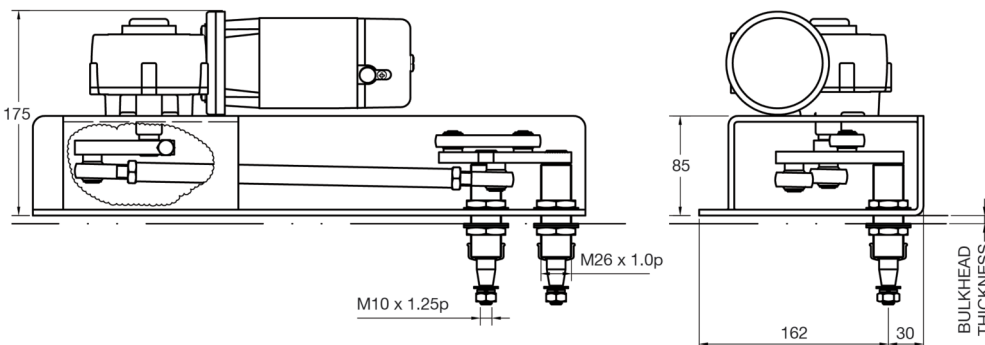
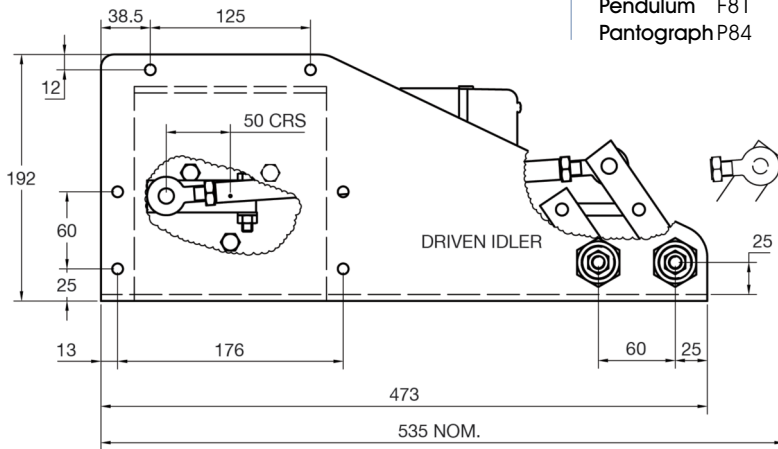
For use with arm types:

<b>Pendulum</b>	F80
<b>Pantograph</b>	P84

<b>B160</b>	Curved Blade, Stainless Steel
<b>Lengths</b>	32" (810mm), 36" (915mm), 39" (1000mm)

For use with arm types:

<b>Pendulum</b>	F81
<b>Pantograph</b>	P84



\*Measurements are for illustrative purposes only

**100Nm**  
Extra Heavy Duty  
Window Wiper

HIGH VOLTAGE SYSTEMS  
IDEAL FOR AVERAGE  
TO HIGH SPEED VESSELS

Can be used in  
combination with the  
following Controllers:

- Control Systems**
- 8271 - 8272 (DC)
  - 6300 (AC)
  - 2000 (AC) 3 phase
  - 1024 (DC)



**B Hepworth & Co Ltd**

4 Merse Road,  
North Moons Moat, Redditch  
Worcestershire B98 9HL UK

**T** +44 (0)1527 61243  
**F** +44 (0)1527 66836  
**E** marine@b-hepworth.com